



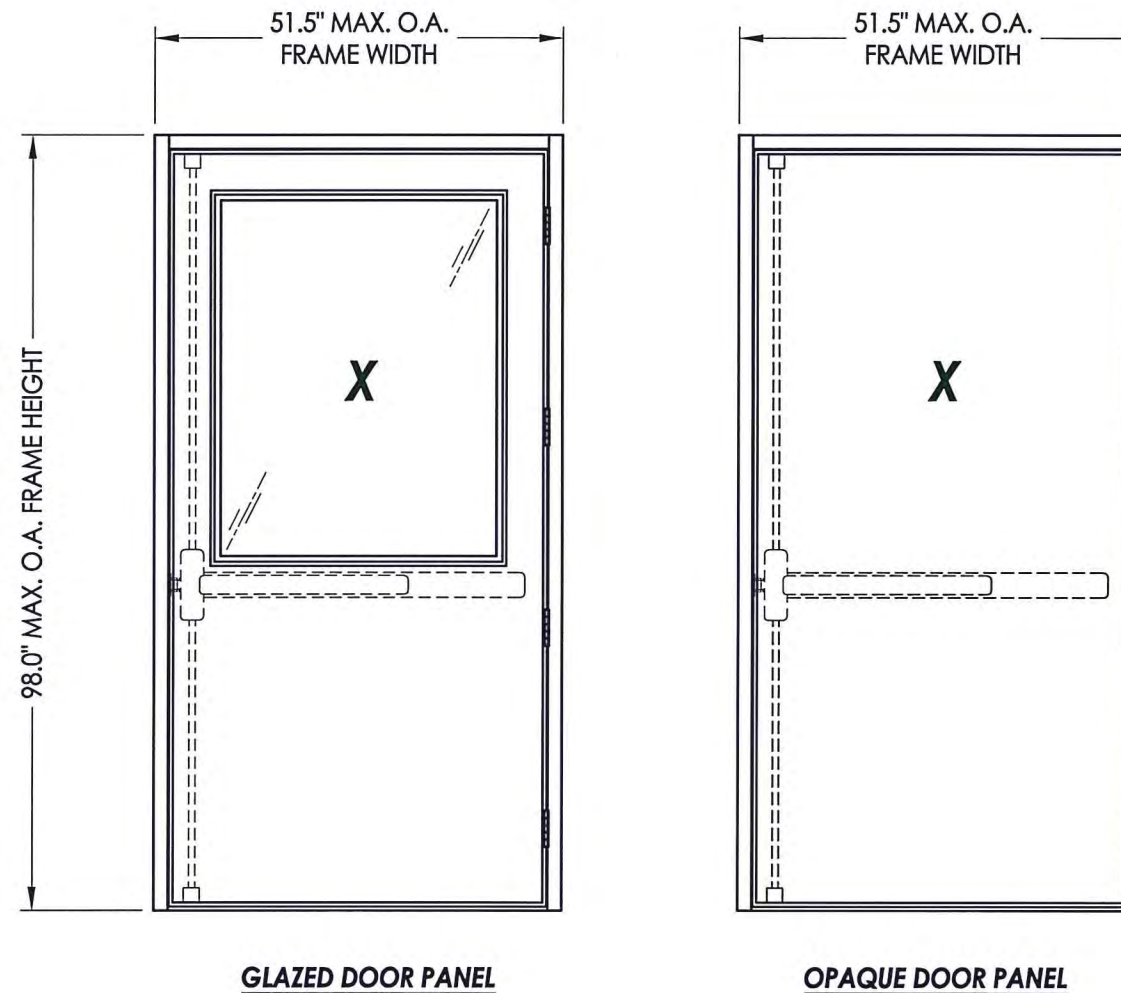
CLINE ALUMINUM DOORS, INC.
 112 32nd AVENUE WEST, BRADENTON, FL 34205-8096
 Telephone (800) 648-6736

SERIES 200BE FRP DOOR OUTSWING "IMPACT"

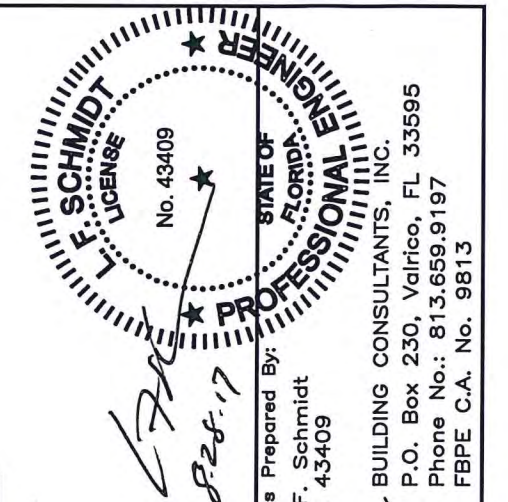
GENERAL NOTES

1. This product has been evaluated and is in compliance with the 6th Edition (2017) Florida Building Code (FBC) structural requirements excluding the "High Velocity Hurricane Zone" (HVHZ).
2. Product anchors shall be as listed and spaced as shown on details. Anchor embedment to base material shall be beyond wall dressing or stucco.
3. When used in areas requiring wind borne debris protection this product complies with FBC Sections 1609.1.2 & R301.2.1.2 and does not require an impact resistant covering. This product meets missile level "D" and includes Wind Zone 4 as defined in ASTM E 1996 and FBC Sections 1609.1.2.2 & R301.2.1.2.1.
4. For 2x stud framing construction, anchoring of these units shall be the same as that shown for 2x buck masonry construction.
5. Site conditions that deviate from the details of this drawing require further engineering analysis by a licensed engineer or registered architect.

TABLE OF CONTENTS	
SHEET#	DESCRIPTION
1	Typical elevations, design pressures & general notes
2	Door panel details and glazing detail
3	Door panel details and glazing detail
4	Horizontal cross sections
5	Vertical cross sections
6	Buck and frame anchoring
7	Bill of materials and components



LOCK HARDWARE	MAX. FRAME DIMENSION	MAX. DOOR D.L.O. DIMENSION	DESIGN PRESSURE (PSF)	
			POSITIVE	NEGATIVE
CORBIN RUSSWIN FE5400S SERIES MULTI-POINT EXIT DEVICE	40.0" x 88.0"	22.63" X 32.63"	+90.0	-90.0
	51.5" x 98.0"	34.88" X 44.88"	+80.0	-80.0



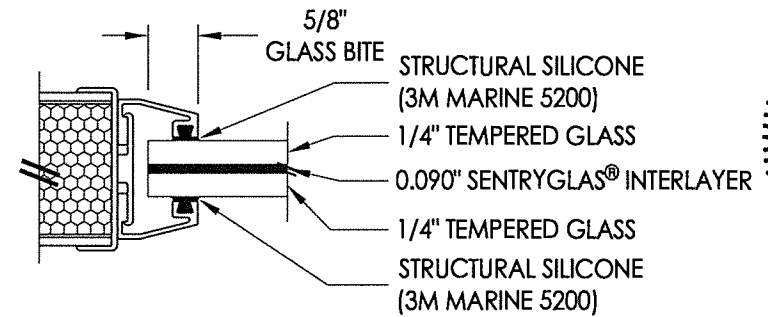
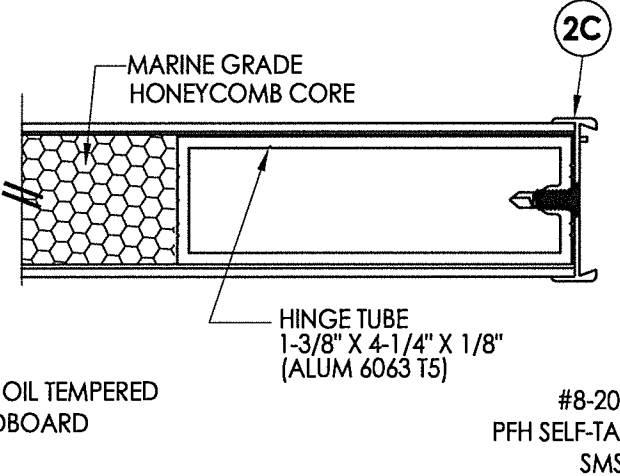
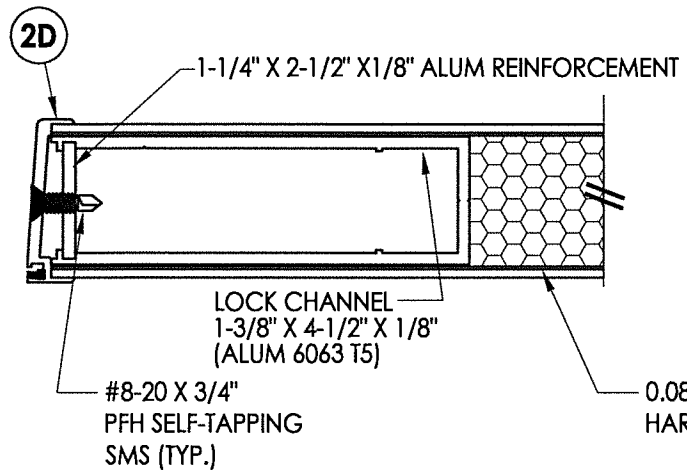
Documents Prepared By:
 Lyndon F. Schmidt
 P.E. No. 43409

R.W. BUILDING CONSULTANTS, INC.
 P.O. Box 230, Vairico, FL 33595
 Phone No.: 813.659.9197
 FBPE C.A. No. 9813

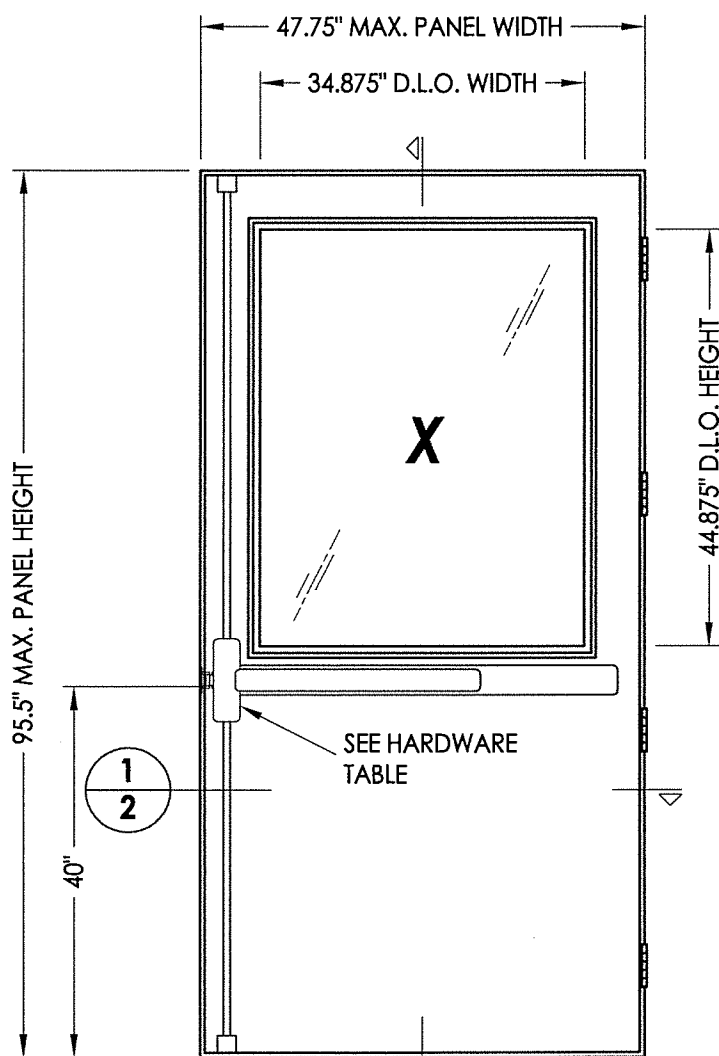
PRODUCT:	CLINE DOORS	
PART OR ASSEMBLY:	TYPICAL ELEVATION, DESIGN PRESSURES & GENERAL NOTES	
NO.	DATE	BY
3	7/7/17	JK
2	9/9/15	JK
1	1/27/15	JK
REVISIONS		
DATE:	9/5/13	
SCALE:	N.T.S.	
DWG. BY:	JK	
CHK. BY:	LFS	
DRAWING NO.:	FL-6336.5	
SHEET	1 of 7	

R:\Clients\Cline Aluminum Doors PERMANENTVA - Florida Product Approvals\FL-6336C - Drawings\Current\FL-6336.5-8.dwg, FL-6336.5

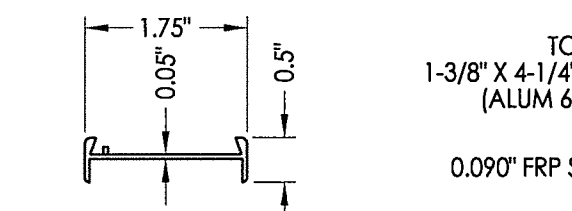
© 2013 R.W. BUILDING CONSULTANTS INC.



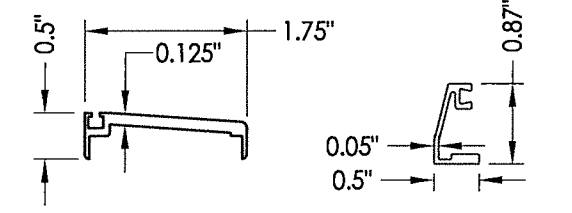
1
2 HORIZONTAL CROSS SECTION



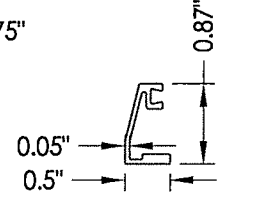
40 GLAZED DOOR PANEL



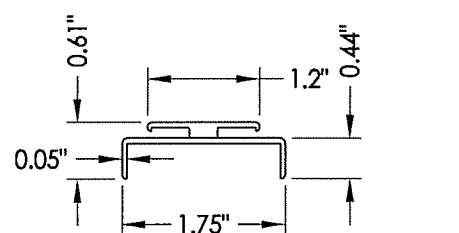
2C HINGE SIDE CAP
6063-T5 ALUM.



2D LATCH SIDE CAP
6063-T5 ALUM.

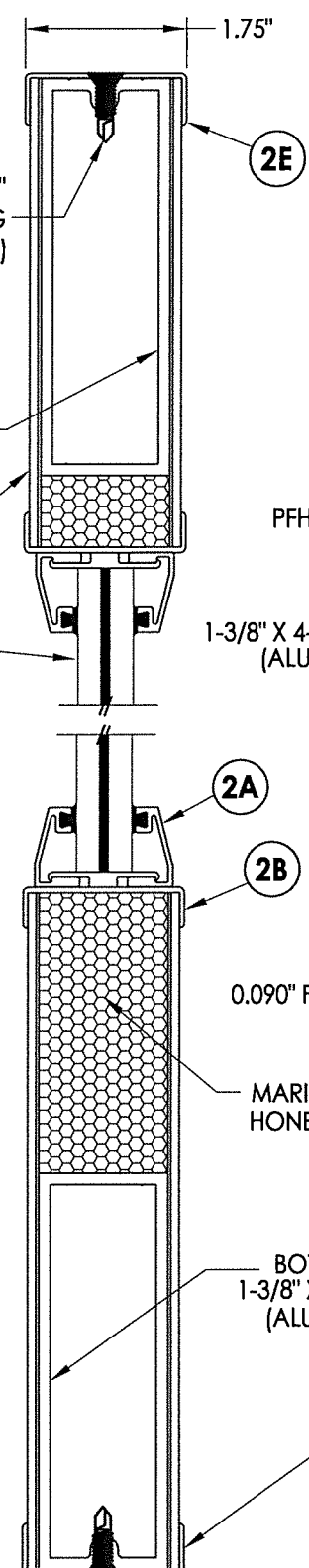


2A GLAZING BEAD
6063-T5 ALUM.

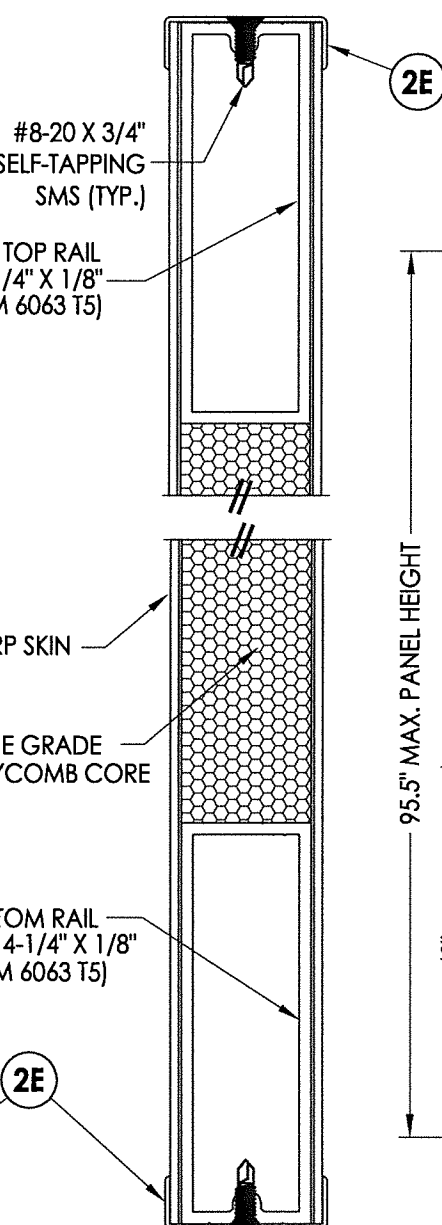


2B GLAZING BEAD CAP
6063-T5 ALUM.

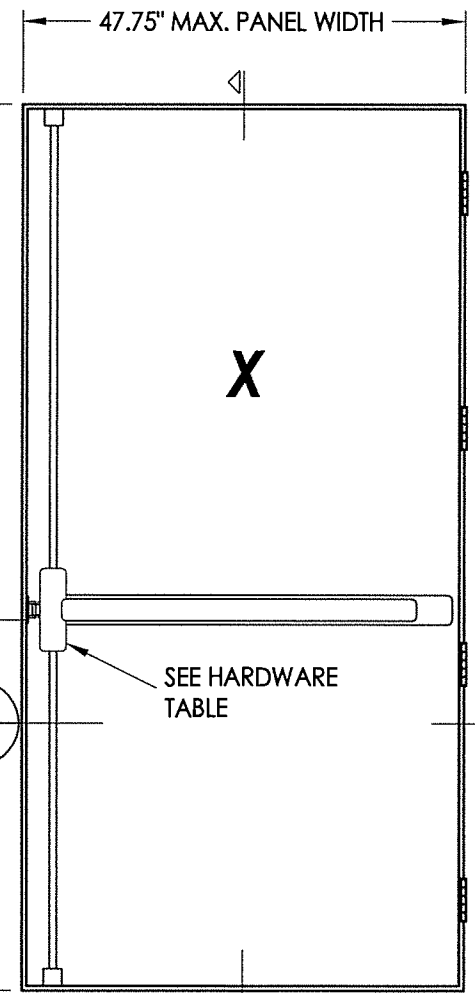
HARDWARE TABLE	
MANUFACTURER	MODEL
CORBIN RUSSWIN	CORBIN RUSSWIN FE5400S SERIES (3-POINT AUTO LATCHING SYSTEM w/ SECUREBOLT® DEADBOLT, SURFACE VERTICAL RODS & ANTI-PRY BRACKET KIT)



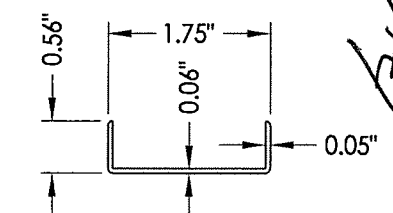
2
2 VERTICAL CROSS SECTION
Glazed Shown



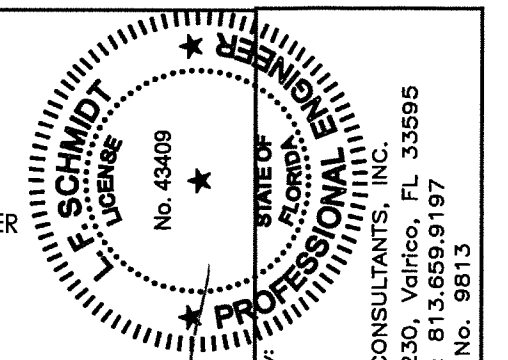
3
2 VERTICAL CROSS SECTION
Opaque Shown



40 OPAQUE DOOR PANEL



2E TOP AND BOTTOM CAP
6063-T5 ALUM.



Documents Prepared By:
Lyndon F. Schmidt
P.E. No. 43409
6-28-17

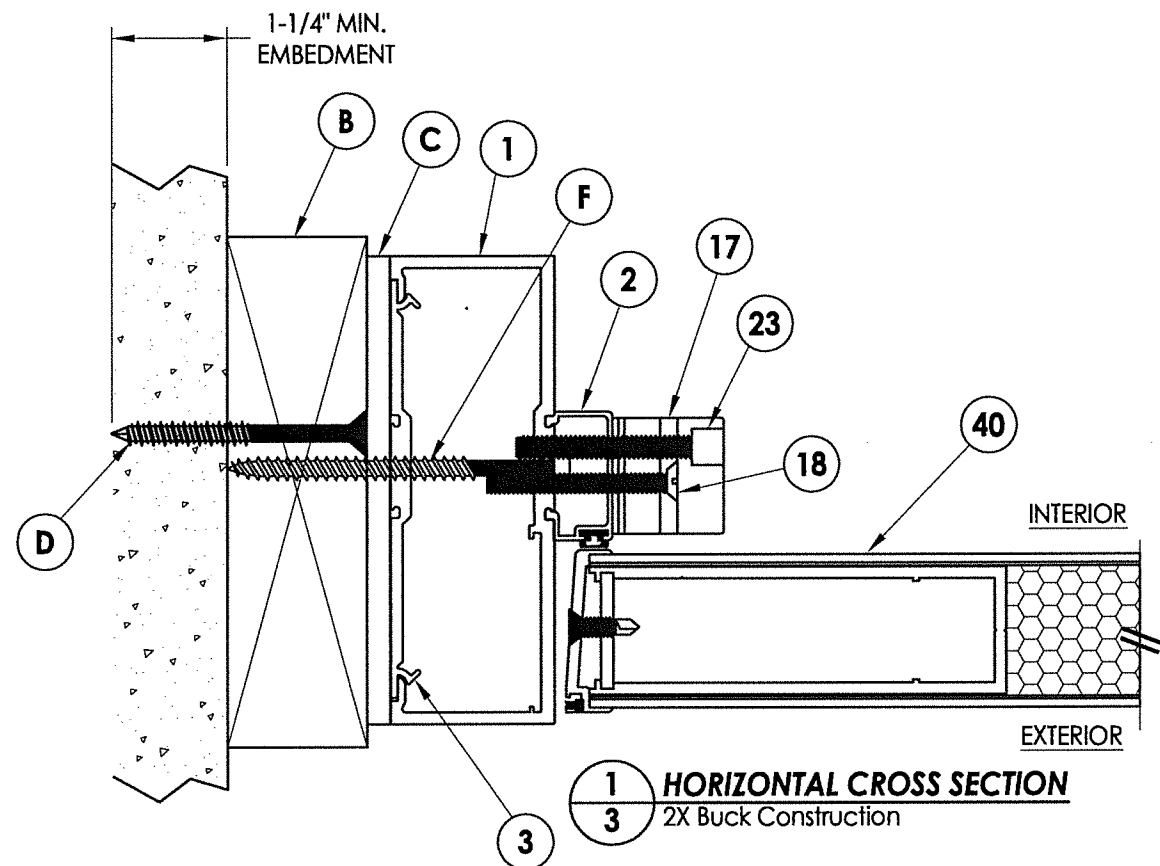
R.W. BUILDING CONSULTANTS, INC.
P.O. Box 230, Valrico, FL 33595
Phone No.: 813.659.9197
FBPE C.A. No. 9813

PRODUCT: CLINE DOORS
PART OR ASSEMBLY: DOOR PANEL DETAILS AND GLAZING DETAIL

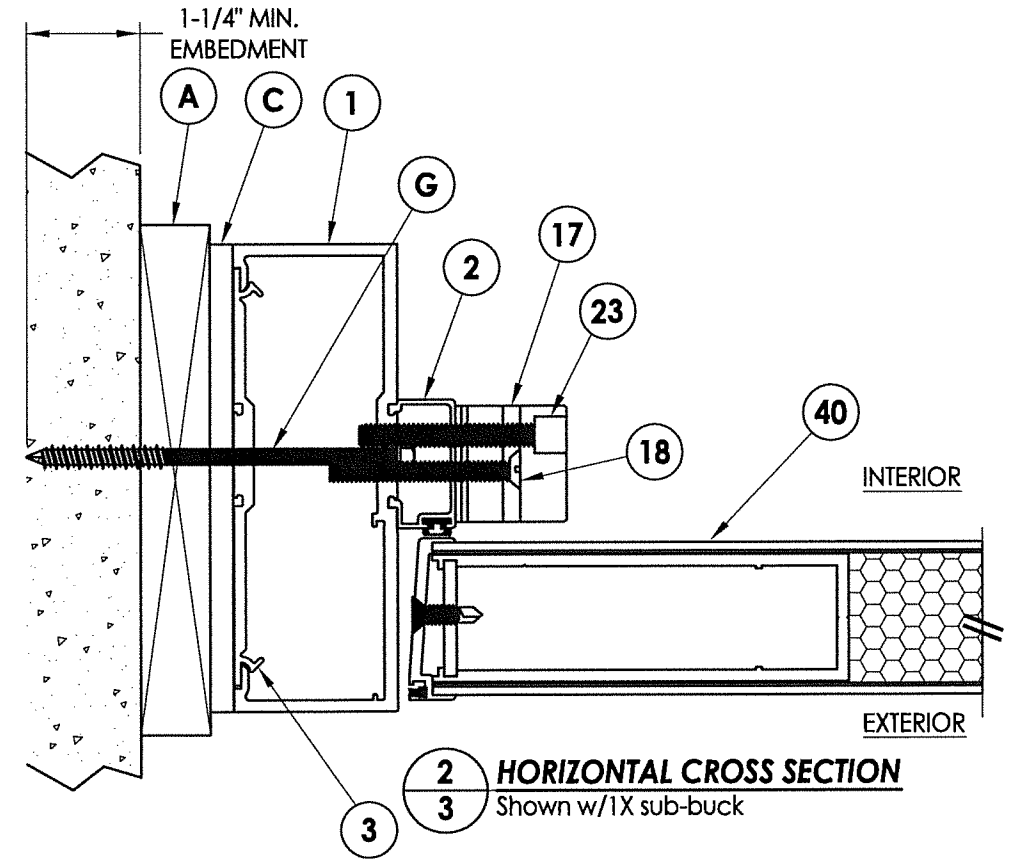
NO.	DATE	BY	REVISIONS
3	7/7/17	JK	UPDATE TO 6TH ED. (2017) FBC
2	9/9/15	JK	ADD OPAQUE DOOR & NEW SIZE
1	1/27/15	JK	UPDATE TO 5TH ED. (2014) FBC

DATE: 6/8/11
SCALE: N.T.S.
DWG. BY: JK
CHK. BY: LFS
DRAWING NO.: FL-6336.5
SHEET 2 OF 7

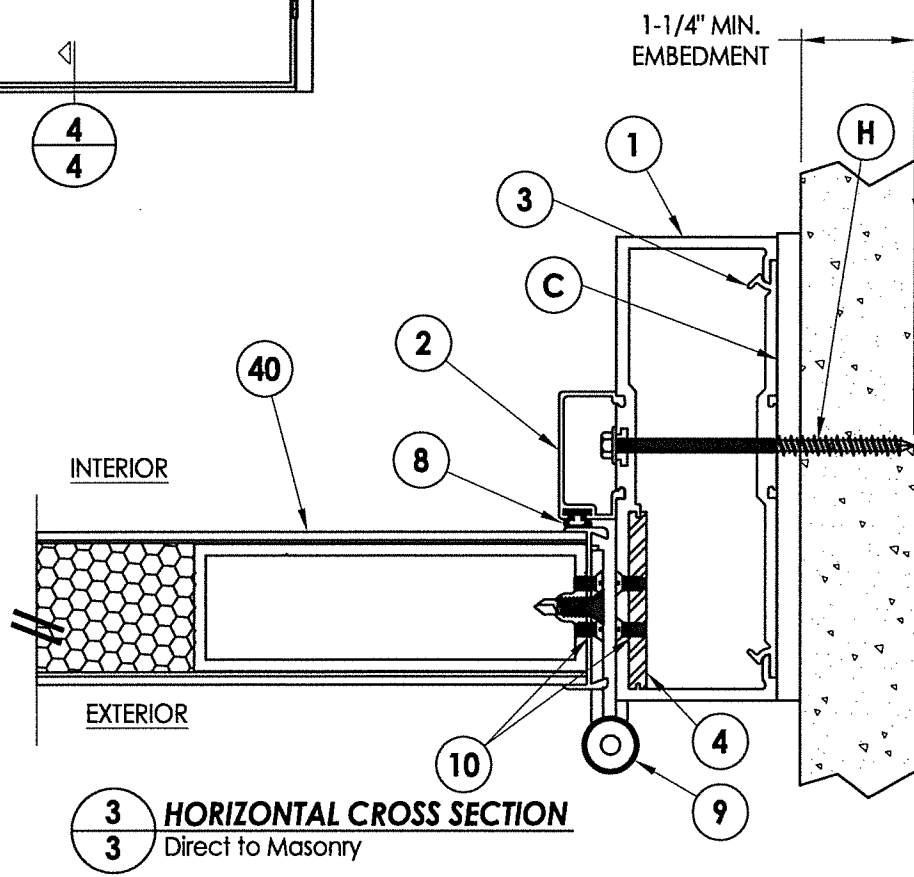
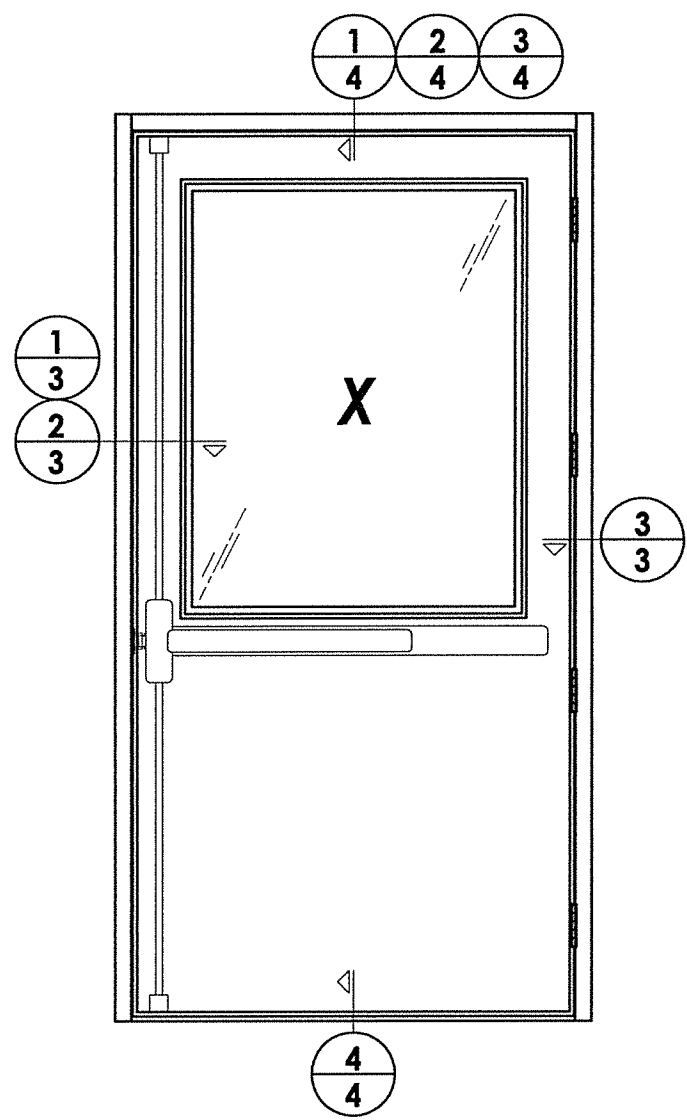
R:\Clients\Cline Aluminum Doors PERMANENTVA - Florida Product Approvals\FL-6336\C - Drawings\Current\FL-6336.5-8.dwg, 4.5



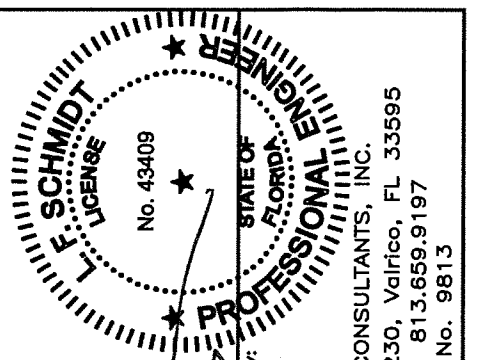
1
3 HORIZONTAL CROSS SECTION
2X Buck Construction



2
3 HORIZONTAL CROSS SECTION
Shown w/1X sub-buck



3
3 HORIZONTAL CROSS SECTION
Direct to Masonry



Documents Prepared By:
Lyndon F. Schmidt
P.E. No. 43409

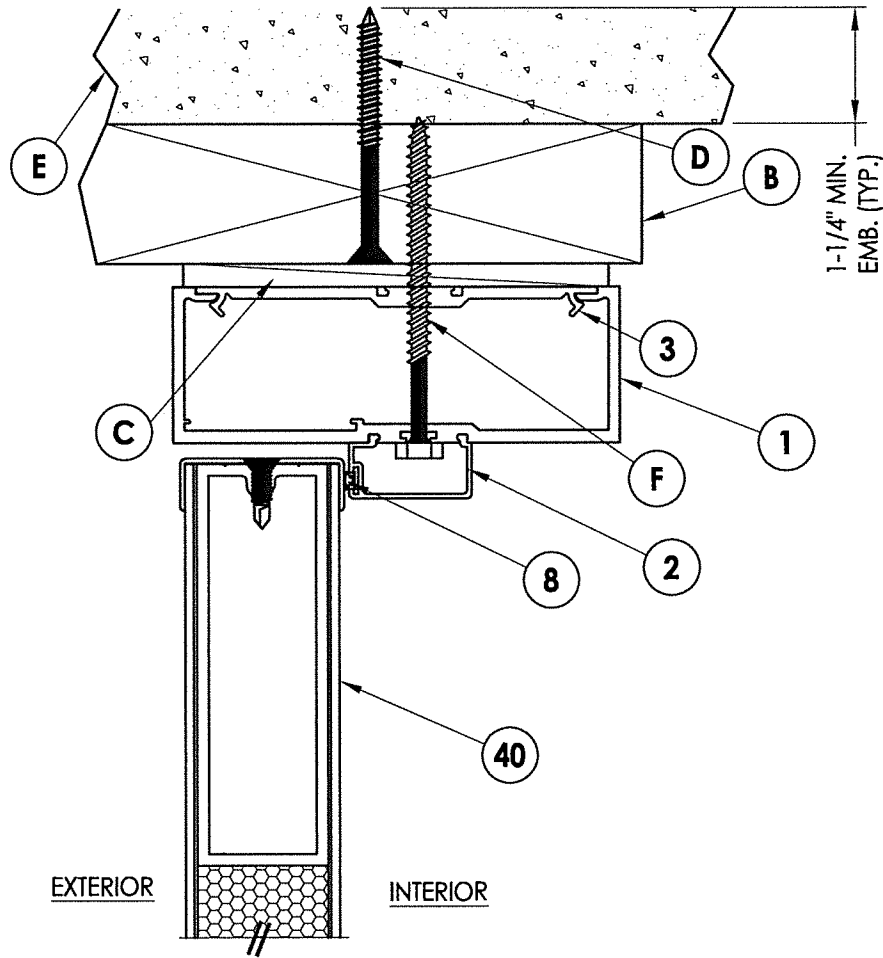
RW
BUILDING CONSULTANTS, INC.
P.O. Box 230, Valrico, FL 33595
Phone No.: 813.659.9197
FBPE C.A. No. 9813

PRODUCT: CLINE DOORS

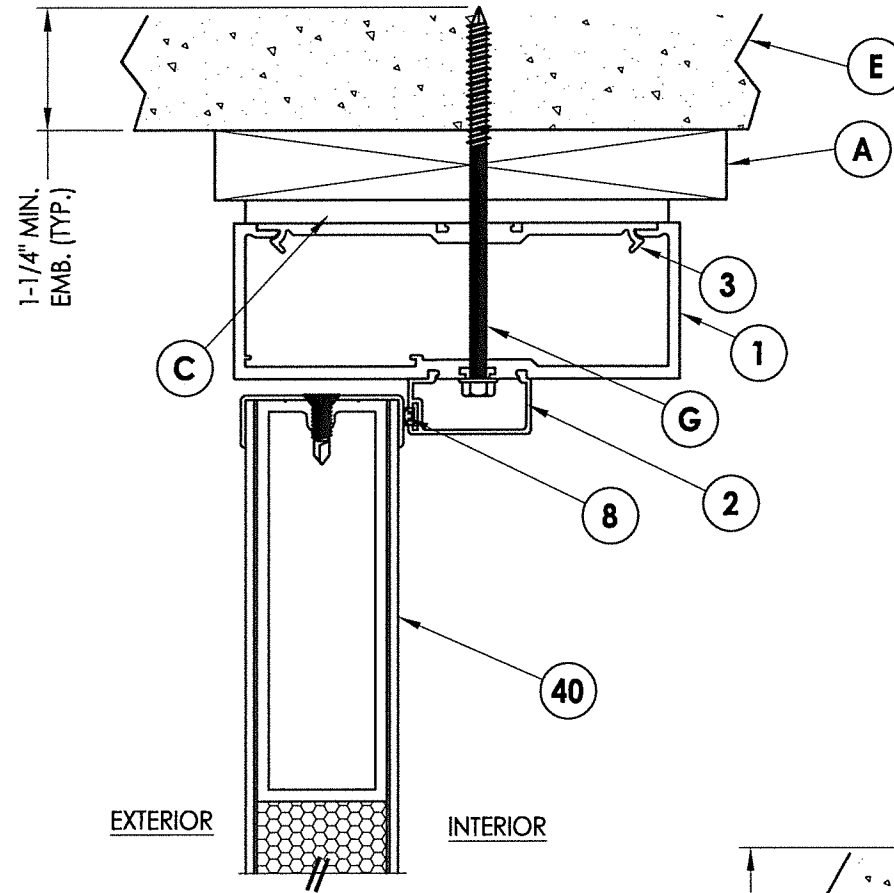
PART OR ASSEMBLY:
HORIZONTAL CROSS SECTIONS

NO.	DATE	BY	REVISIONS
3	7/7/17	JK	UPDATE TO 6TH ED. (2017) FBC
2	9/9/15	JK	ADD OPAQUE DOOR & NEW SIZE
1	1/27/15	JK	UPDATE TO 5TH ED. (2014) FBC

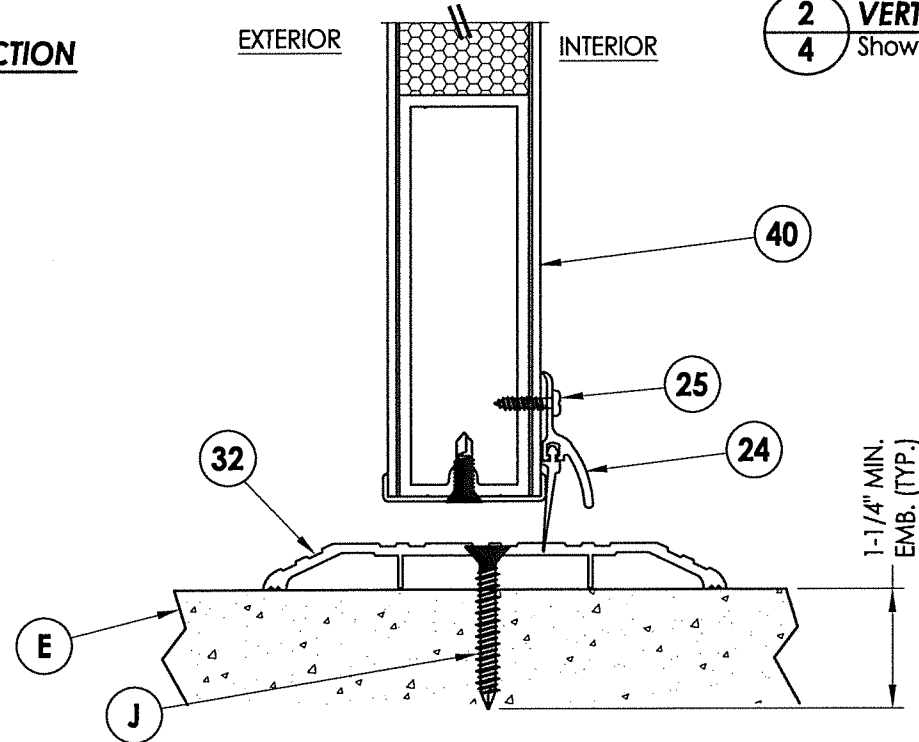
DATE: 9/5/13
SCALE: N.T.S.
DWG. BY: JK
CHK. BY: LFS
DRAWING NO.: FL-6336.5
SHEET 3 OF 7



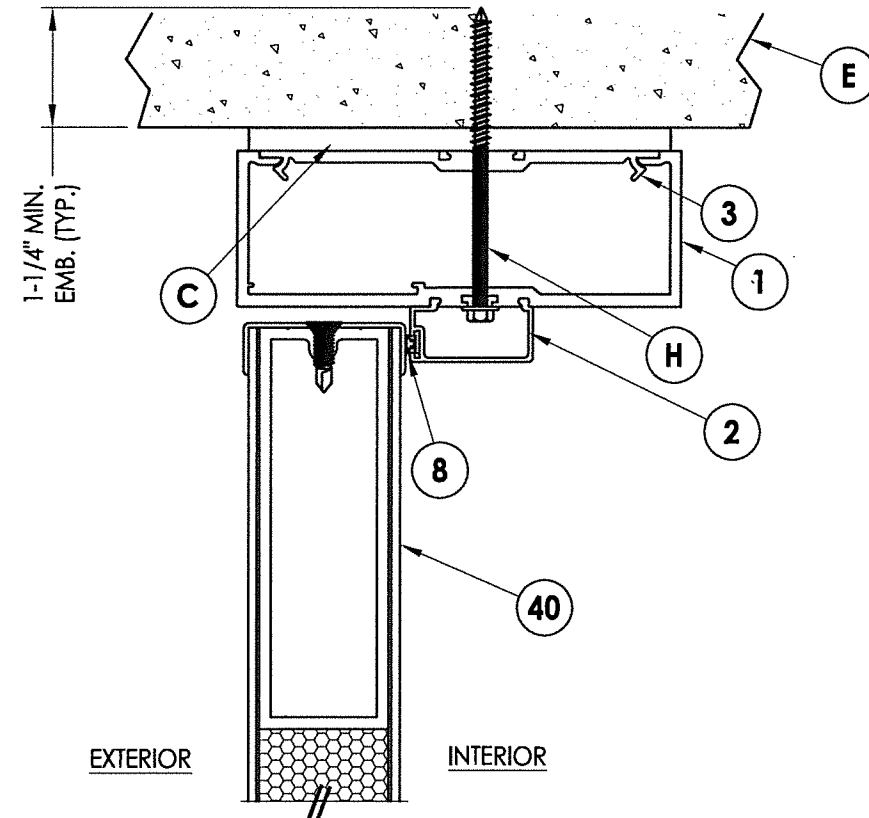
1 VERTICAL CROSS SECTION
4 2X Buck Construction



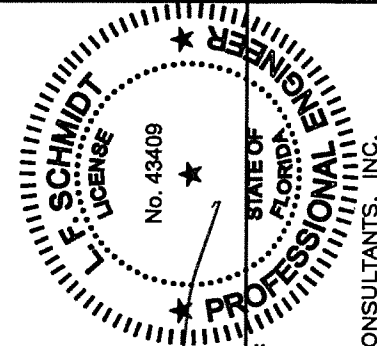
2 VERTICAL CROSS SECTION
4 Shown w/1X sub-buck



4 VERTICAL CROSS SECTION
4



3 VERTICAL CROSS SECTION
4 Direct to Masonry

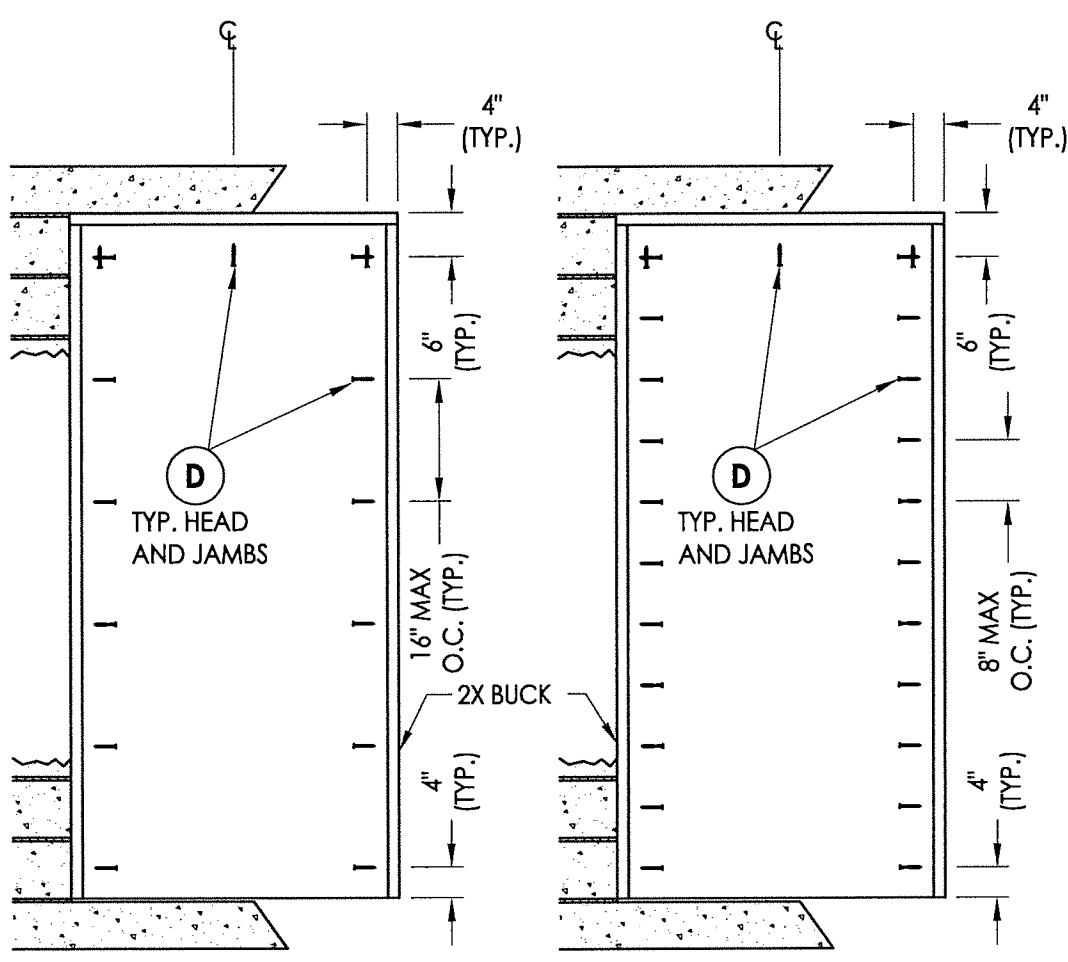


LFS
8/28/17
 Documents Prepared By:
 Lyndon F. Schmidt
 P.E. No. 43409

RW
 BUILDING CONSULTANTS, INC.
 P.O. Box 230, Valrico, FL 33595
 Phone No.: 813.659.9197
 FBPE C.A. No. 9813

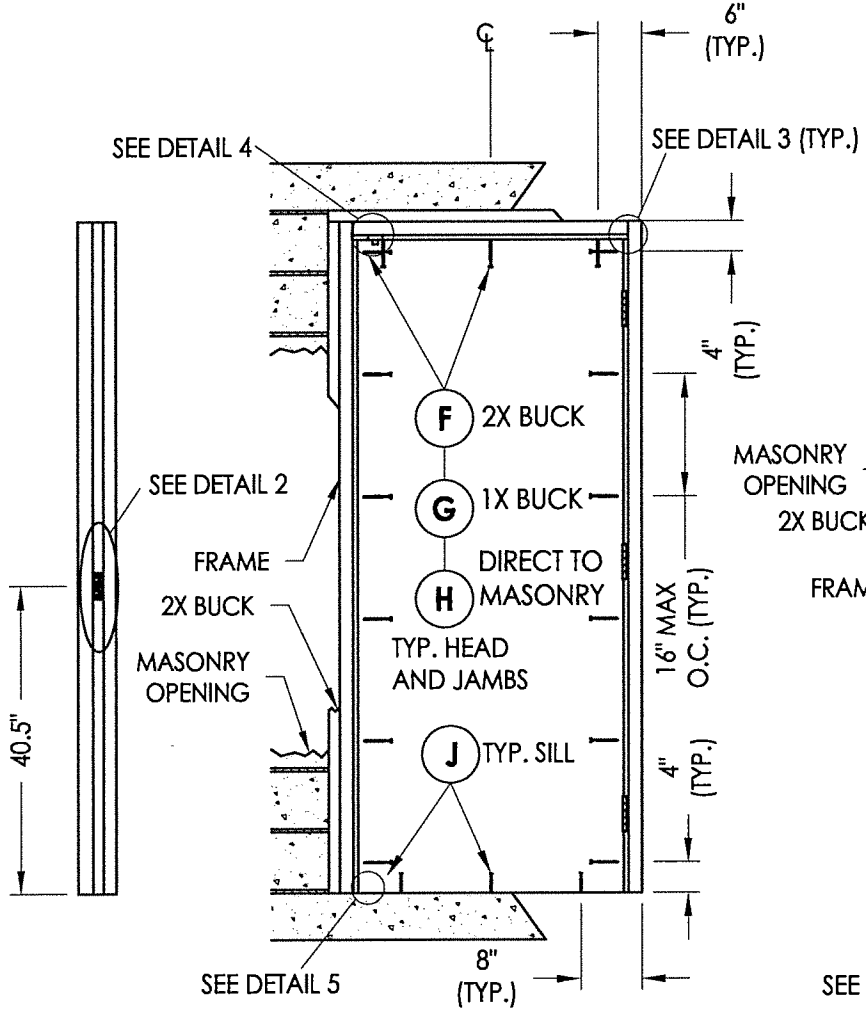
PRODUCT: CLINE DOORS		PART OR ASSEMBLY: VERTICAL CROSS SECTIONS	
NO.	DATE	BY	REVISIONS
3	7/7/17	JK	UPDATE TO 6TH ED. (2017) FBC
2	9/9/15	JK	ADD OPAQUE DOOR & NEW SIZE
1	1/27/15	JK	UPDATE TO 5TH ED. (2014) FBC
DATE:	9/5/13		
SCALE:	N.T.S.		
DWG. BY:	JK		
CHK. BY:	LFS		
DRAWING NO.:	FL-6336.5		
SHEET	4 OF 7		

R:\Clients\Cline Aluminum Doors PERMANENTVA - Florida Product Approvals\FL-6336\C - Drawings\Current\FL-6336.5-8.dwg, 6.5



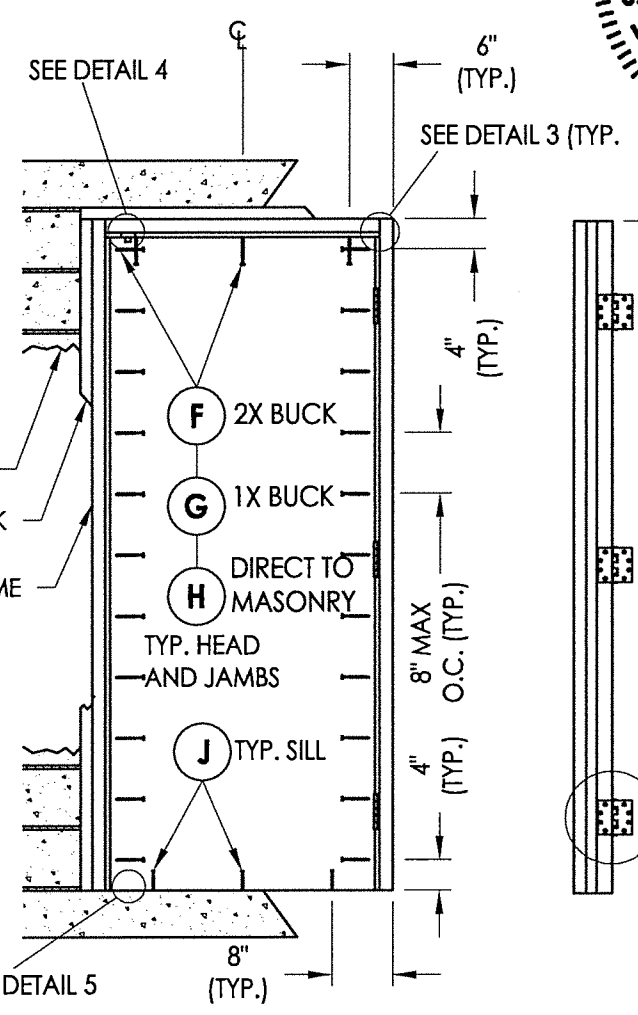
BUCK ANCHORING
Max. D.P. <= 60 PSF

BUCK ANCHORING
Max. D.P. <= 90 PSF



LATCH JAMB

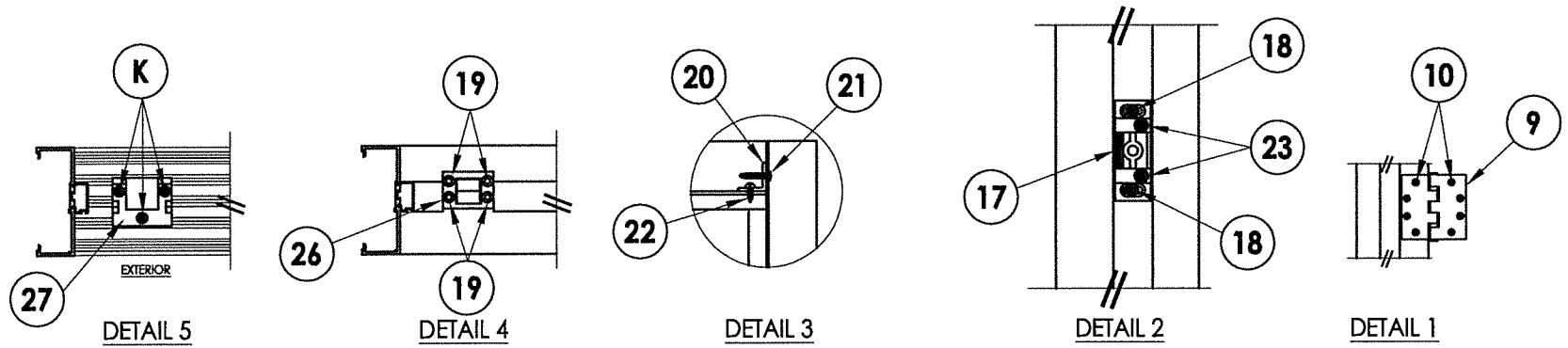
FRAME ANCHORING
Max. D.P. <= 60 PSF



FRAME ANCHORING
Max. D.P. <= 90 PSF

HINGE JAMB

MAX. FRAME DIMENSION 40" X 88"



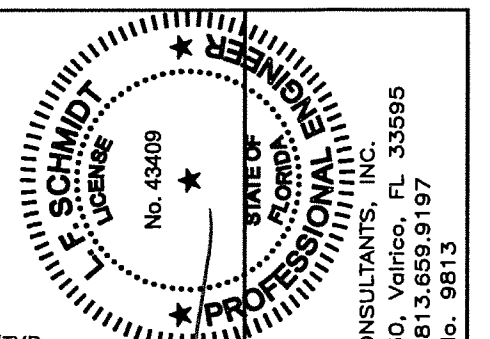
CONCRETE ANCHOR NOTES:

- Concrete anchor locations at the corners may be adjusted to maintain the min. edge distance to mortar joints.
- Concrete anchor locations noted as "MAX. ON CENTER" must be adjusted to maintain the min. edge distance to mortar joints, additional concrete anchors may be required to ensure the "MAX. ON CENTER" dimension are not exceeded.
- Concrete anchor table:

ANCHOR TYPE	ANCHOR SIZE	MIN. EMBEDMENT	MIN. CLEARANCE TO MASONRY EDGE	MIN. CLEARANCE TO ADJACENT ANCHOR
ITW BUILDEX TAPCON®	1/4"	1-1/4"	2-1/2"	4"
ELCO ULTRACON®	1/4"	1-1/4"	2-1/2"	4"
	3/16"	1-3/4"	2-1/2"	1-3/4"

WOOD SCREW INSTALLATION NOTES:

- Maintain a minimum 5/8" edge distance, 1" end distance, & 1" o.c. spacing of wood screws to prevent the splitting of wood.

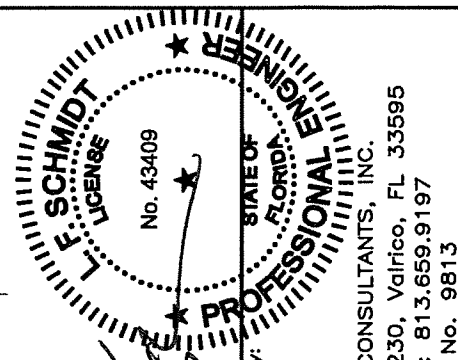


Documents Prepared By:
Lyndon F. Schmidt
P.E. No. 43409

RW BUILDING CONSULTANTS, INC.
P.O. Box 230, Valrico, FL 33595
Phone No.: 813.659.9197
FBPE C.A. No. 9813

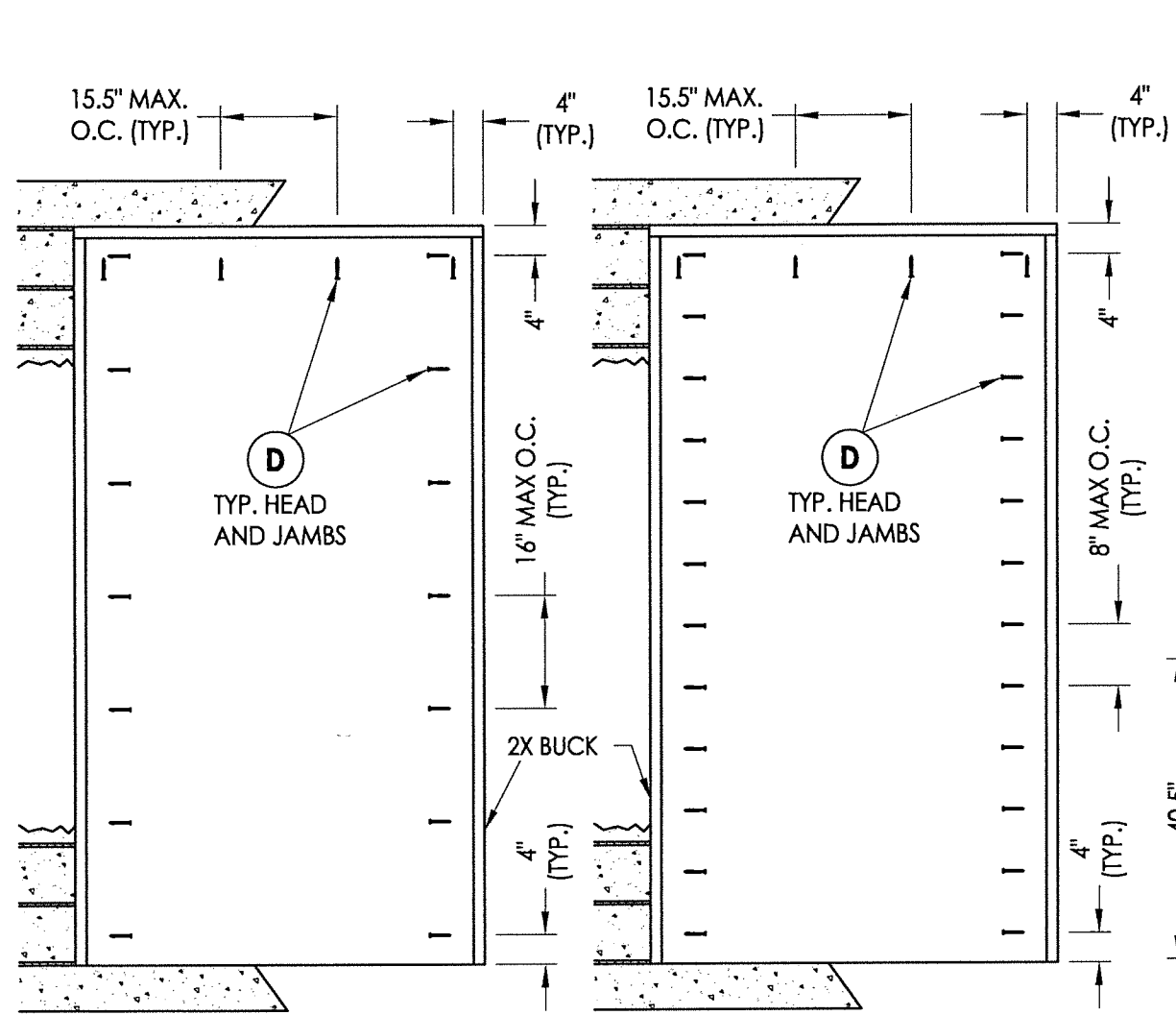
PRODUCT:	CLINE DOORS	
PART OR ASSEMBLY:	BUCK AND FRAME ANCHORING	
NO.	DATE	BY
3	7/7/17	JK
2	9/9/15	JK
1	1/27/15	JK
REVISIONS		
DATE:	9/5/13	
SCALE:	N.T.S.	
DWG. BY:	JK	
CHK. BY:	LFS	
DRAWING NO.:	FL-6336.5	
SHEET	5 OF 7	

R:\Clients\Cline Aluminum Doors PERMANENTVA - Florida Product Approvals\FL-6336\C - Drawings\Current\FL-6336.5-8.dwg, 7.5



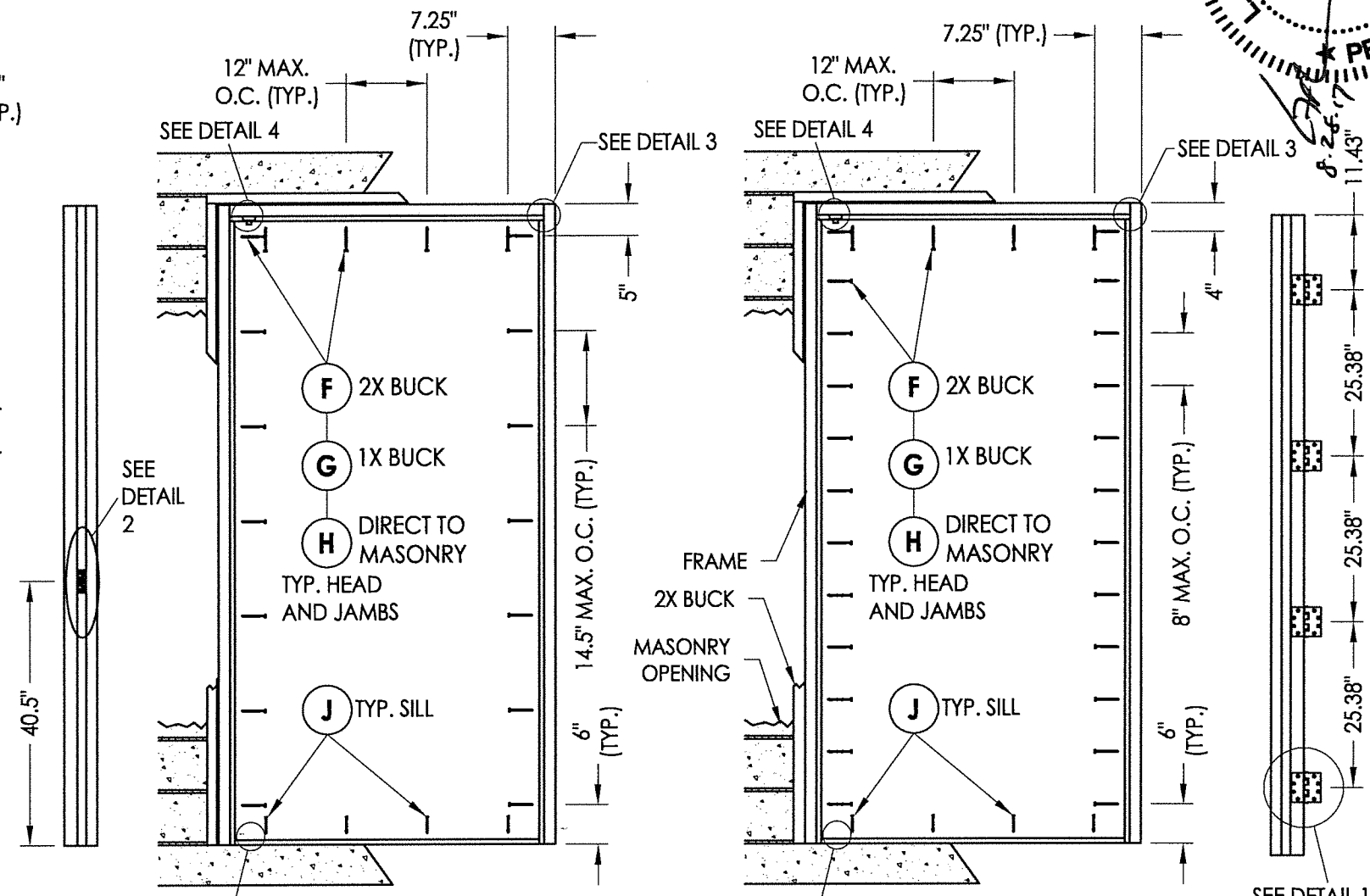
Documents Prepared By:
Lyndon F. Schmidt
P.E. No. 43409

RW BUILDING CONSULTANTS, INC.
P.O. Box 230, Valrico, FL 33595
Phone No.: 813.659.9197
FBPE C.A. No. 9813



BUCK ANCHORING
Max. D.P. <= 50 PSF

BUCK ANCHORING
Max. D.P. <= 80 PSF



LATCH JAMB SEE DETAIL 5
FRAME ANCHORING
Max. D.P. <= 50 PSF

FRAME ANCHORING
Max. D.P. <= 80 PSF

HINGE JAMB

CONCRETE ANCHOR NOTES:

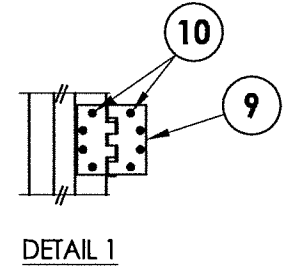
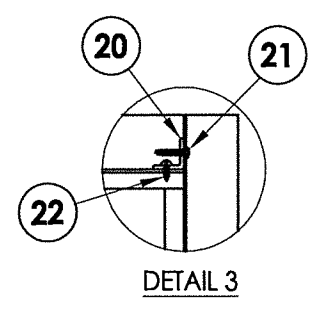
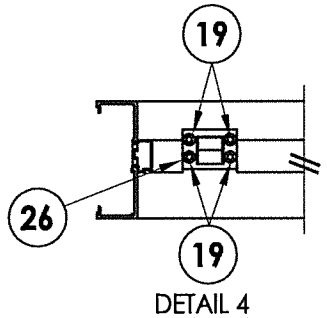
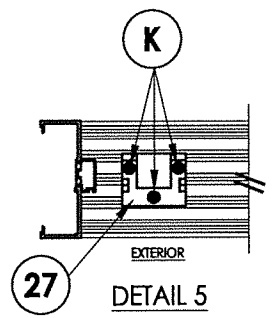
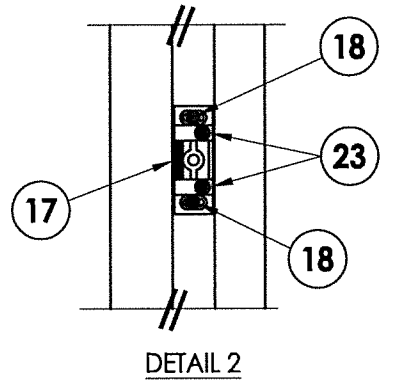
- Concrete anchor locations at the corners may be adjusted to maintain the min. edge distance to mortar joints.
- Concrete anchor locations noted as "MAX. ON CENTER" must be adjusted to maintain the min. edge distance to mortar joints, additional concrete anchors may be required to ensure the "MAX. ON CENTER" dimension are not exceeded.
- Concrete anchor table:

ANCHOR TYPE	ANCHOR SIZE	MIN. EMBEDMENT	MIN. CLEARANCE TO MASONRY EDGE	MIN. CLEARANCE TO ADJACENT ANCHOR
ITW BUILDEX TAPCON®	1/4"	1-1/4"	2-1/2"	4"
ELCO ULTRACON®	1/4"	1-1/4"	2-1/2"	4"
	3/16"	1-3/4"	2-1/2"	1-3/4"

WOOD SCREW INSTALLATION NOTES:

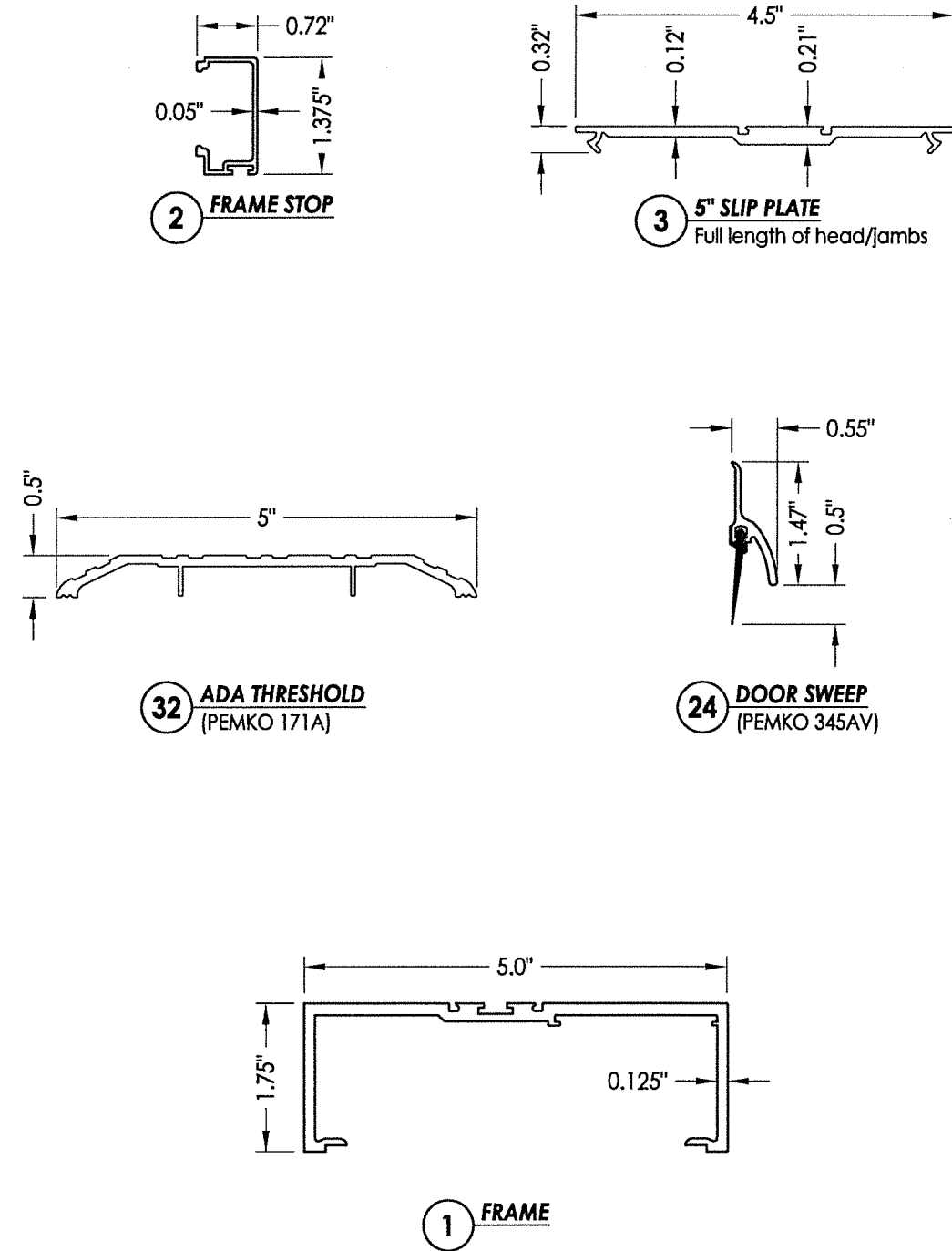
- Maintain a minimum 5/8" edge distance, 1" end distance, & 1" o.c. spacing of wood screws to prevent the splitting of wood.

MAX. FRAME DIMENSION 51.5" X 98.0"



PRODUCT:		CLINE DOORS	
PART OR ASSEMBLY:		BUCK AND FRAME ANCHORING	
NO.	DATE	BY	REVISIONS
3	7/7/17	JK	UPDATE TO 6TH ED. (2017) FBC
2	9/9/15	JK	ADD OPAQUE DOOR & NEW SIZE
1	1/27/15	JK	UPDATE TO 5TH ED. (2014) FBC
DATE:		9/5/13	
SCALE:		N.T.S.	
DWG. BY:		JK	
CHK. BY:		LFS	
DRAWING NO.:		FL-6336.5	
SHEET		6 OF 7	

BILL OF MATERIALS		
ITEM #	DESCRIPTION	MATERIAL
A	1X BUCK SG >= 0.55	WOOD
B	2X BUCK SG >= 0.55	WOOD
C	1/4" MAX. SHIM SPACE	-
D	1/4" X 2-3/4" PFH ELCO OR ITW CONCRETE SCREW	STEEL
E	MASONRY - 3,000 PSI MIN. CONCRETE CONFORMING TO ACI 301 OR HOLLOW BLOCK CONFORMING TO ASTM C90	CONCRETE
F	1/4" X 3-1/2" HH LAG SCREW (1.5" MIN. EMBEDMENT)	STEEL
G	1/4" X 4" HWH ELCO OR ITW CONCRETE SCREW	STEEL
H	1/4" x 3-1/4" HWH ELCO OR ITW CONCRETE SCREW	STEEL
J	1/4" x 1-3/4" HWH ELCO OR ITW CONCRETE SCREW	STEEL
K	3/16" x 2-1/4" PFH ELCO CONCRETE SCREW	STEEL
1	FRAME	ALUM 6063 T5
2	FRAME STOP	ALUM 6063 T5
3	5" SLIP PLATE	ALUM 6063 T5
4	HINGE REINFORCEMENT	ALUM
8	WOOL PILE WEATHERSTRIP	-
9	4-1/2" X 4-1/2" HINGE	STEEL
10	1/4 - 20 x 1/2" PFH MACHINE SCREW	STEEL
17	CENTER BOLT ROLLER STRIKE PLATE	STEEL
18	#12-24 X 2" FH MACHINE SCREW	STEEL
19	1/4 - 20 x 1" PFH MACHINE SCREW	STEEL
20	CORNER REINFORCEMENT (1" X 1" X 1/8" X 4.75" LONG ANGLE)	ALUM
21	#10 X 1" PPH SMS	STEEL
22	#10 X 1/2" PPH SMS	STEEL
23	#8 X 2" CAP SCREW	STEEL
24	DOOR SWEEP (PEMKO 345AV)	-
25	#6 X 5/8" PPH SMS	STEEL
26	TOP LATCH STRIKE HOUSING	STEEL
27	BOTTOM BOLT STRIKE PLATE	STEEL
32	ADA THRESHOLD (PEMKO 171A)	ALUM
40	DOOR PANEL (SEE DOOR PANEL DETAILS)	-



PROFESSIONAL ENGINEER
 F. SCHMIDT
 No. 43409
 STATE OF FLORIDA

Documents Prepared By:
 Lyndon F. Schmidt
 P.E. No. 43409

BUILDING CONSULTANTS, INC.
 P.O. Box 230, Valrico, FL 33595
 Phone No.: 813.659.9197
 FBPE C.A. No. 9813

PRODUCT:		CLINE DOORS	
PART OR ASSEMBLY:		BILL OF MATERIALS & COMPONENTS	
NO.	DATE	BY	REVISIONS
3	7/7/17	JK	UPDATE TO 6TH ED. (2017) FBC
2	9/9/15	JK	ADD OPAQUE DOOR & NEW SIZE
1	1/27/15	JK	UPDATE TO 5TH ED. (2014) FBC
DATE: 9/5/13			
SCALE: N.T.S.			
DWG. BY: JK			
CHK. BY: LFS			
DRAWING NO.: FL-6336.5			
SHEET 7 OF 7			